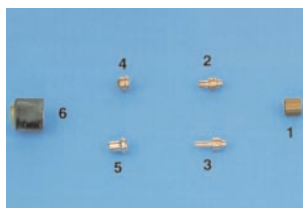


## HYPERTHERM® MAX20®

ITEM	CODE	DESCRIPTION
1	020239	Swirl Ring VESPEL®
2	020220	Electrode HF
3	020382	Electrode extend-HF
4	020299	Tip Ø 0.73 - 0.029
5	020381	Tip extend Ø 0.73- 0.029
6	020218	Nozzle retaining cup



## HYPERTHERM® MAX40®

ITEM	CODE	DESCRIPTION
1	057114	Torch body complete
2	020114	Torch body (machine)
3	026016	O Ring
4	020103	Electrode long life HF
5	020101	Swirl ring Vespel®
6	020115	Tip and torch
7	020131	Pipe saddle tip
8	020467	Electrode extended HF
9	020466	Tip extended
10	020104	Nozzle retaining cap
11	020200	Nozzle retaining cap tap
12	057112	Hand torch with 25" cable (1/2-20" conn)
12	057113	Hand torch with 50" cable (1/2-20" conn)
13	020206	Machine spare handle
14		Air and power cable 25" hand torch
14		Air and power cable 50" hand torch
14		Air and power cable 25" machine torch
14		Air and power cable 50" machine torch



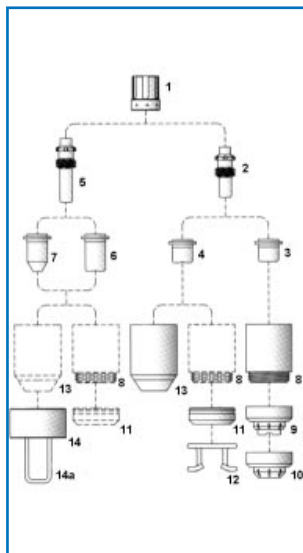
## HYPERTHERM® MAX80/100®

ITEM	CODE	DESCRIPTION
1	020189	Torch body (hand) with handle and microswitch
2	020201	Torch body (machine) with handle and microswitch
3	026018	O Ring
4	120433	Electrode long life air (ex020191)
5	020194	Swirl ring Vespel®
6	020203	Tip standard 40A Ø1.0-0.038
	020345	Tip standard 80A MAX80 Ø1.3-0.052
	020195	Tip standard 100A MAX100 Ø1.5-0.059
7	020564	Extended electrode long life HF PAC130
8	020563	Tip extended PAC130 Ø1.4-0.055
9	020184	Nozzle retaining cap
10	020397	Contact tip 80A Ø1.3-0.052
	020337	Contact tip 100A Ø1.5-0.059
11	020336	Contact nozzle retaining cap VESPEL®
12	020334	Shield cup machine
13	020333	Deflector
14	020335	Spacer for contact cutting hand
15		Hand spare handle with microswitch
16	020245	Machine spare handle
17		Extractor for swirl ring
20	059076	Ergonomic hand torch with 25" cable (1/2-20" conn)
20	059077	Ergonomic hand torch with 50" cable (1/2-20" conn)
20		Machine torch with 25" cable (1/2-20" conn)
20		Machine torch with 50" cable (1/2-20" conn)



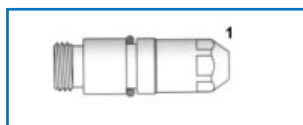
## HYPERTHERM® POWERMAX800®

ITEM	CODE	DESCRIPTION
1	020361	Swirl Ring VESPEL®
2	120573	Electrode long life HF
3	120438	Tip 40A PAC 121T/M
	120282	Tip 50A PAC 121T/M
4	020395	Tip 50A PAC 121T
5	120574	Extended electrode long life
6	120304	Tip extended PAC 121T
7	120305	Tip pipe saddle PAC121T/M
8	120301	Retaining cap PAC 121T/M
9	120283	Shield PAC 121T (hand)
10	120326	Shield PAC 121M (machine)
11		Spring holder protection nut PAC121T/M
12		Spacer spring for 51987
13	020930	Nozzle retaining cap
14		Spacer complete with springs
14a		Spare springs



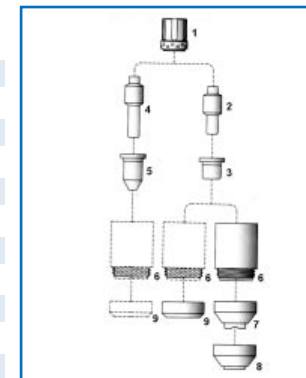
## HYPERTHERM® HT400®

ITEM	CODE	DESCRIPTION
1	020081	Electrode long life HF O <sub>2</sub> w/O Ring



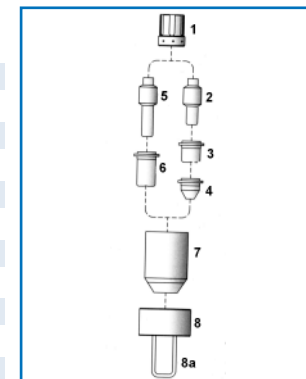
## HYPERTHERM® POWERMAX900®

ITEM	CODE	DESCRIPTION
1	120576	Swirl Ring VESPEL®
2	120573	Electrode long life HF
3	120577	Tip 55A shielded PAC 125T/M
4	120574	Extended electrode long life
5	120606	Tip 35A extended PAC125T
	120578	Tip 55A pipe saddle Ext. PAC125T
6	120600	Retaining cap PAC125T/M
7	120601	Shield PAC 125T (hand)
8	120602	Shield PAC 125M (machine)
9	120303	Spring holder protection nut PAC125T/M



## HYPERTHERM® MAX40CS/42/43®

ITEM	CODE	DESCRIPTION
1	020361	Swirl Ring VESPEL®
2	120573	Electrode long life HF (EX 020351)
3	020350	Tip Ø 0.96 - 0.038
	020395	Tip Ø 1.06 - 0.042
4	020542	Pipe saddle tip
5	120574	Electrode extended long life
6	020546	Tip extended Ø 0.96 - 0.038
7	020930	Nozzle retaining cap
8		Spacer complete with springs
9		Spare springs



## **HYPERTHERM® MAX200® HT2000®**

### **RICAMBI ORIGINALI**

ITEM	CODE	DESCRIPTION
1	120667	Electrode 200A
	220084	Electrode 200A
	120547	Electrode 200A
	020415	Electrode
2	020689	Nozzle
	020690	Nozzle
3	020605	Nozzle
	020608	Nozzle
	020611	Nozzle
	020616	Nozzle
	020604	Swirl ring
	020607	Swirl ring
	020613	Swirl ring
	020617	Swirl ring
	020679	Swirl ring
	120833	Swirl ring
	020424	Shield
	020448	Shield
	020485	Shield
	020602	Shield
	020688	Shield
	020423	Retaining cap
	120837	Retaining cap

### **RICAMBI ORIGINALI HIGH SPEED HYPERTHERM® HT2000®**

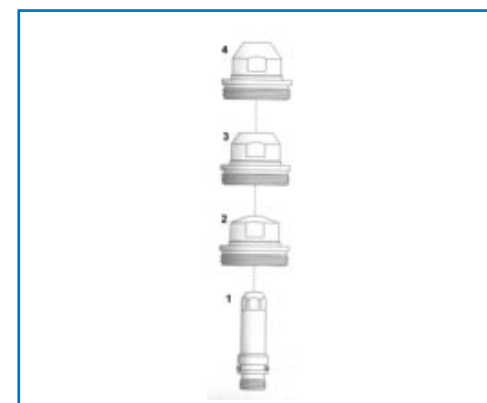
ITEM	CODE	DESCRIPTION
	220235	Electrode
	220236	Swirl ring
	220237	Nozzle
	220242	Retaining cap
	220239	Shield

**A.B.Esse**

## **HYPERTHERM® MAX200® HT2000®**

### **RICAMBI COMPATIBILI**

ITEM	CODE	DESCRIPTION
1	120667	Electrode
	120547	Electrode
2	020689	Nozzle
3	020611	Nozzle
	020616	Nozzle
4	020690	Nozzle
	020605	Nozzle
	020608	Nozzle
	020424	Tip
	020448	Tip
	020423	Retaining Cap



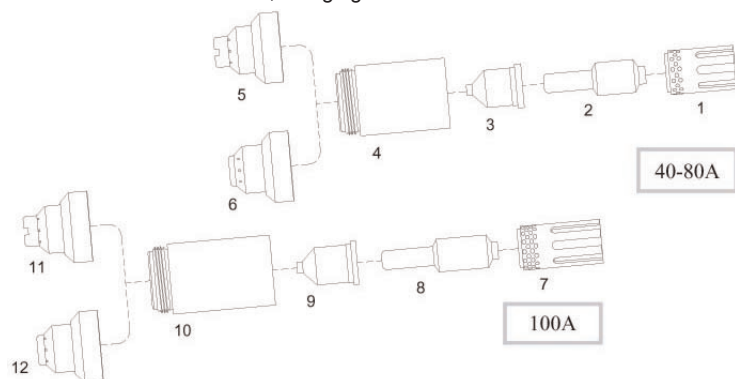
**A.B.Esse**

## HYPERTHERM® POWERMAX 1000/1250/1650®

RICAMBI ORIGINALI PER

T60 / T60M®, T80 / T80M®, T100 / T100M®

ITEM	CODE	DESCRIPTION
1	120925	Swirl ring
2	120926	Electrode - Hf.
3	120932	Tip, 40A
	120931	Tip, 60A
	120927	Tip, 80A
4	120928	Cap, Retaining
5	120929	Shield (Hand)
6	120930	Shield (Machine)
7	220051	Swirl ring
8	220037	Electrode - Hf.
9	220011	Tip, 100A
	220064	Tip
10	220048	Cap, Retaining
	220061	Cap, Retaining
	220206	Cap, Retaining
11	220065	Shield (Hand)
12	220047	Shield (Machine)
	120979	Deflector
	120977	Shield, Gouging
	120980	Extended Nozzle
	220006	Extended Nozzle
	220007	Extended Nozzle
	120978	Nozzle, Gouging
	220059	Nozzle, Gouging
	220063	Nozzle, Gouging



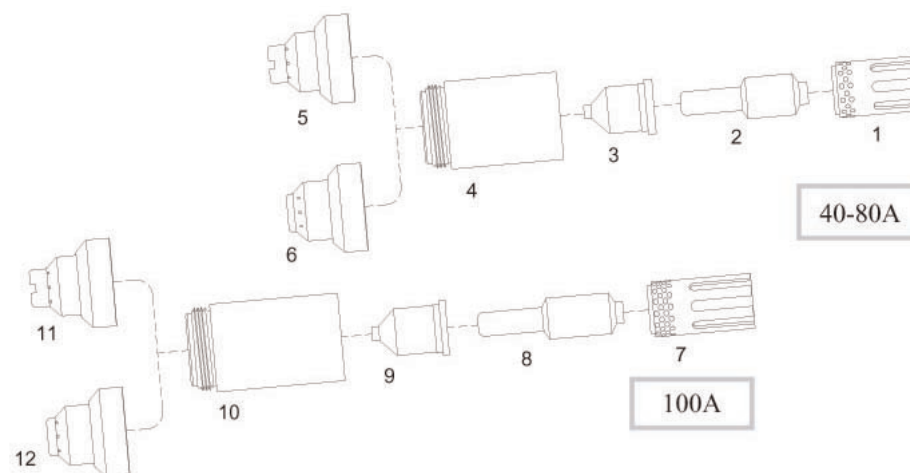
**A.B.Esse**

## HYPERTHERM® POWERMAX 1000/1250/1650®

RICAMBI COMPATIBILI PER

T60 / T60M®, T80 / T80M®, T100 / T100M®

ITEM	CODE	DESCRIPTION
1	7AB120925	Swirl ring
2	7AB120926	Electrode - Hf.
	7AB120926TD	Smooth Electrode - Hf.
3	7AB120932	Tip, 40A
	7AB120931	Tip, 60A
	7AB120927	Tip, 80A
4	7AB120928	Cap, Retaining
5	7AB120929	Shield (Hand)
6	7AB120930	Shield (Machine)
7	7AB220051	Swirl ring
8	7AB220037	Electrode - Hf.
	7AB220037TD	Smooth Electrode - Hf.
9	7AB220011	Tip, 100A
10	7AB220048	Cap, Retaining
11	7AB220065	Shield (Hand)
12	7AB220047	Shield (Machine)
	7AB51865	Circle Cutting Attachment
	7AB51804	Cutting Guide



**A.B.Esse**

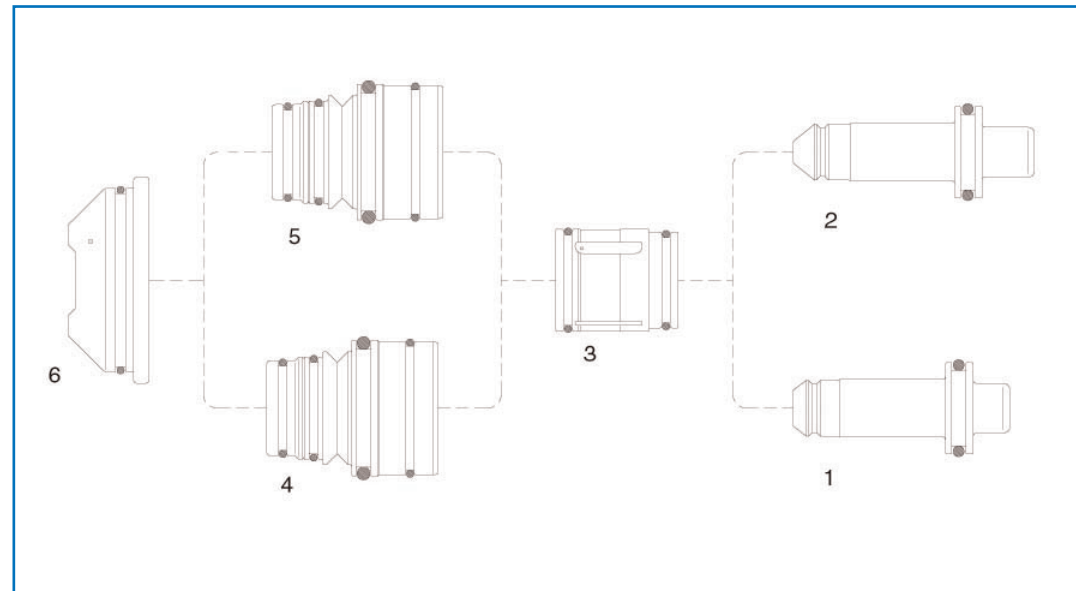
## **HYPERTHERM® HD 3070** **RICAMBI ORIGINALI**

CODE	DESCRIPTION
120113	Elettrodo
120111	"
120112	"
120410	"
020644	Nozzle
020645	"
020646	"
020647	"
020938	"
020948	"
120272	"
020633	Retaining Cap
020795	"
020940	"
120266	"
020670	Shield
020671	"
020796	"
020941	"
020949	"
120273	"
020687	Shield Cap
020637	Swirl Ring
020789	"
020937	"
020947	"
120589	Elettrodo
120590	Swirl Ring
120591	Elettrodo
120592	Retaining Cap
120594	Shield
028872	Liquido refrigerante, 1 gallone
011061	Flussometro
120349	Corpo Torcia

## **HYPERTHERM® HD 3070** **RICAMBI COMPATIBILI**

ITEM	CODE	RIF.ABESSE	DESCRIPTION
1	120112A	7AB120112A	Elettrodo 70A
	120112AG	7AB120112AG	Elettrodo 70A solid silver
2	120410A	7AB120410A	Elettrodo 100A
	120410AG	7AB120410AG	Elettrodo 70A solid silver
3	020789A	7AB020789A	Swirl ring
4	020647A	7AB020647A	Tip 70A
5	120272A	7AB120272A	Tip 100A
6	020796A	7AB020796A	Shield cap 70/100A

NOTA: Le parti suddette devono essere utilizzate esclusivamente insieme



## **HYPERTHERM<sup>®</sup> HPR 130** **RICAMBI ORIGINALI**

CODE	DESCRIPTION
------	-------------

**FERRO**

220192	Electrode 30A
220187	Electrode 80A
220181	Electrode 130A
220193	Nozzle 30A
220188	Nozzle 80A
220182	Nozzle 130A
220180	Swirl ring 30A
220179	Swirl ring 80A - 130A
220313	Retaining cap 30A
220176	Retaining cap 80A -130A
220194	Shield 30A
220189	Shield 80A
220183	Shield 130A
220173	Shield cap 30A -80A -130A

**INOX**

220308	Electrode 45A
220339	Electrode 80A
220307	Electrode 130A
220201	Nozzle 45A
220337	Nozzle 80A
220197	Nozzle 130A
220202	Shield 45A
220338	Shield 80A
220198	Shield 130A
220180	Swirl ring 45A
220179	Swirl ring 80A -130A
220304	Retaining cap 45A-80A (130A: H35)
220176	Retaining cap 130A (N2)
220173	Shield cap 45A -80A -130A

## **HYPERTHERM<sup>®</sup> HPR 130** **RICAMBI ORIGINALI**

**ALLUMINIO**

220308	Electrode 45A
220307	Electrode 130A (H35)
220181	Electrode 130A (AIR)
220201	Nozzle 45A
220197	Nozzle 130A
220304	Retaining cap 45A (130A: H35)
220176	Retaining cap 130A (AIR)
220202	Swirl ring 45A
220198	Shield 130A
220173	Shield cap 45A-130A